

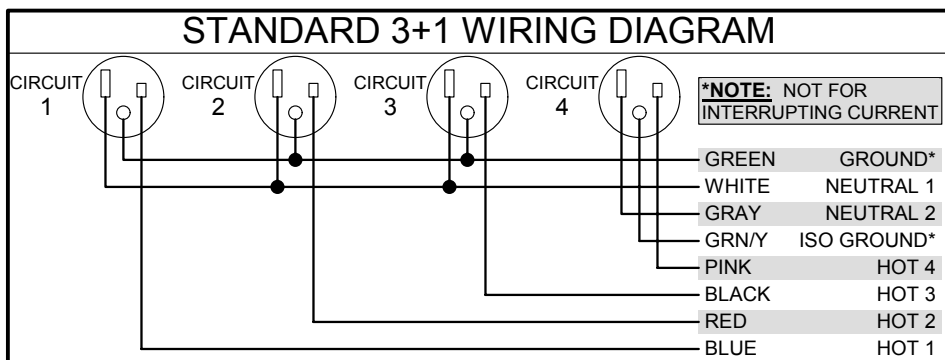
HARDWIRED STARTER POWER FEEDS	
ECFS,LC	DIMENSIONS
Model #	"A"
ESPF/8-84	84"
ECPF/8-144	144"

POWER MODULE	
ECFS,LC	# OF OUTLETS
Model #	
EPM/8	2 OR 4
NOTE: POWER MODEL COMES WITH A POWER MODULE HOLDER	

INTERCONNECTING CABLES	
ECFS,LC	DIMENSIONS
Model #	"B"
EIC/8-S11	11"
EIC/8-S14	14"
EIC/8-S17	17"
EIC/8-S20	20"
EIC/8-S23	23"
EIC/8-S26	26"
EIC/8-S29	29"
EIC/8-S32	32"
EIC/8-S35	35"
EIC/8-S38	38"
EIC/8-L41	41"
EIC/8-L44	44"
EIC/8-L47	47"
EIC/8-L50	50"
EIC/8-L53	53"
EIC/8-L56	56"
EIC/8-L59	59"
EIC/8-L62	62"
EIC/8-L65	65"
EIC/8-L71	71"
EIC/8-L74	74"

PLUG-IN STARTER POWER FEEDS	
ECFS,LC	DIMENSIONS
Model #	"A"
ESPF/8-P1-15-R	72"
ESPF/8-P1-15-S	72"
ESPF/8-P1-20-R	72"
ESPF/8-P1-20-S	72"

DUPLEX RECPTACLES	
ECFS,LC	POWER FEED
Model #	
ED-1	PLUG-IN
ED-1-IG	HARDWIRED
ED-2-IG	HARDWIRED
ED-3-IG	HARDWIRED
ED-4-IG	HARDWIRED



SPECIFICATIONS

The system incorporates Hardwired Starter Power Feeds, Power Modules, Duplex Receptacles and Interconnecting Cables. The Hardwired System is UL recognized under UL Standard 1286, and is listed as a manufactured wiring system under UL Standard 183. The Hardwired System is a 20 amp system allowing the use of 4 circuits with 4 line conductors, 2 neutrals and 2 grounds. Under NEC recommendations, 13 receptacles may be used per circuit, with a total of 52 available receptacles if all circuits are used, per single power entry. Three of the line conductors are 12 AWG, and share a 12 AWG ground and a 10 AWG neutral. The fourth circuit is isolated and dedicated, and is serviced by its own line conductor, neutral and isolated ground. Power is routed through extremely flexible oval metal conduit, which makes traversing sharp corners easy. All connections are positive locking, assured by keyed terminal housings. Receptacles simply snap in with a positive locking tab feature that assures positive contact to the Power Modules. The Power Module Holder is constructed of painted 18 gauge CRS, formed to shape with strategically located holes for mounting the Power Modules. Hardwired Starter Power Feeds to be hardwired by licensed electrician provide by end user.

8 WIRE 4 CIRCUIT ELECTRICAL SYSTEM

1-800-766-3237 info@electronicclassroom.com

THIS DRAWING CONTAINS PROPRIETARY INFORMATION AND IS THE PROPERTY OF ELECTRONIC CLASSROOM FURNITURE SYSTEMS, LC (800) 766-3237 (307) 683-2426 FAX

